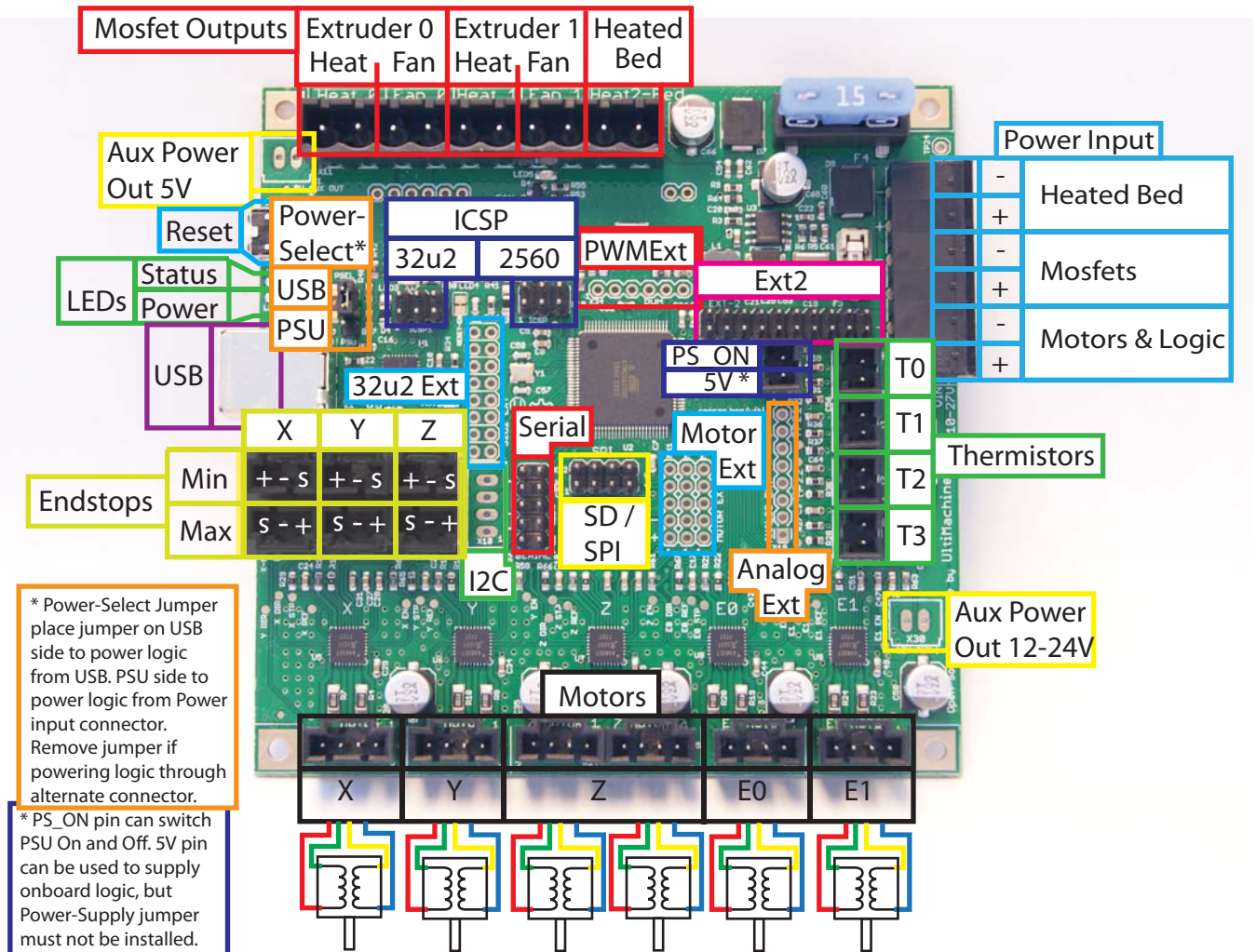


# RAMBo (R)epRap (A)rduino-(M)ega-compatible (M)other (Bo)ard rev1.1

reprap.org/wiki/Rambo

RepRap / 3D Printer / CNC Electronics



Handle with care. Static Sensitive device.

!!! Reversing input power can destroy electronics and cause fire hazard!!!

Test all electronics thoroughly before placing into service.

Do not leave power supplied to electronics unattended, or run machines unattended due to the risk of fire and malfunction.

This is NOT a toy and it contains small and sharp parts. Children can choke or suffocate by swallowing small objects. Keep all parts away from children and never leave printer/parts unattended.

