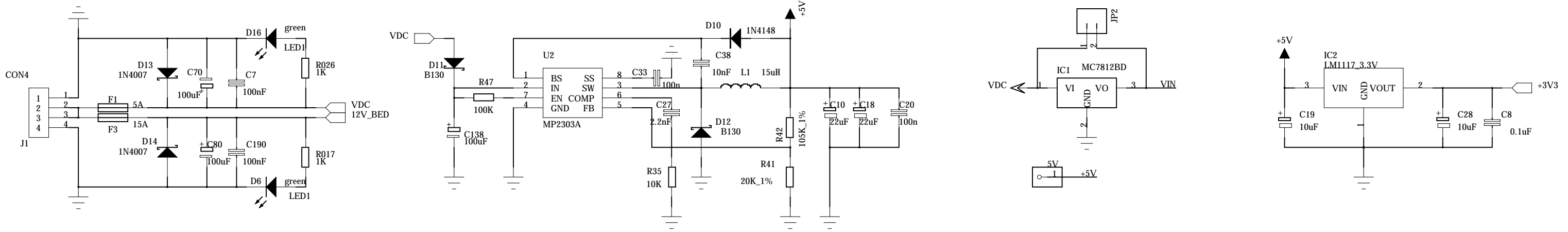
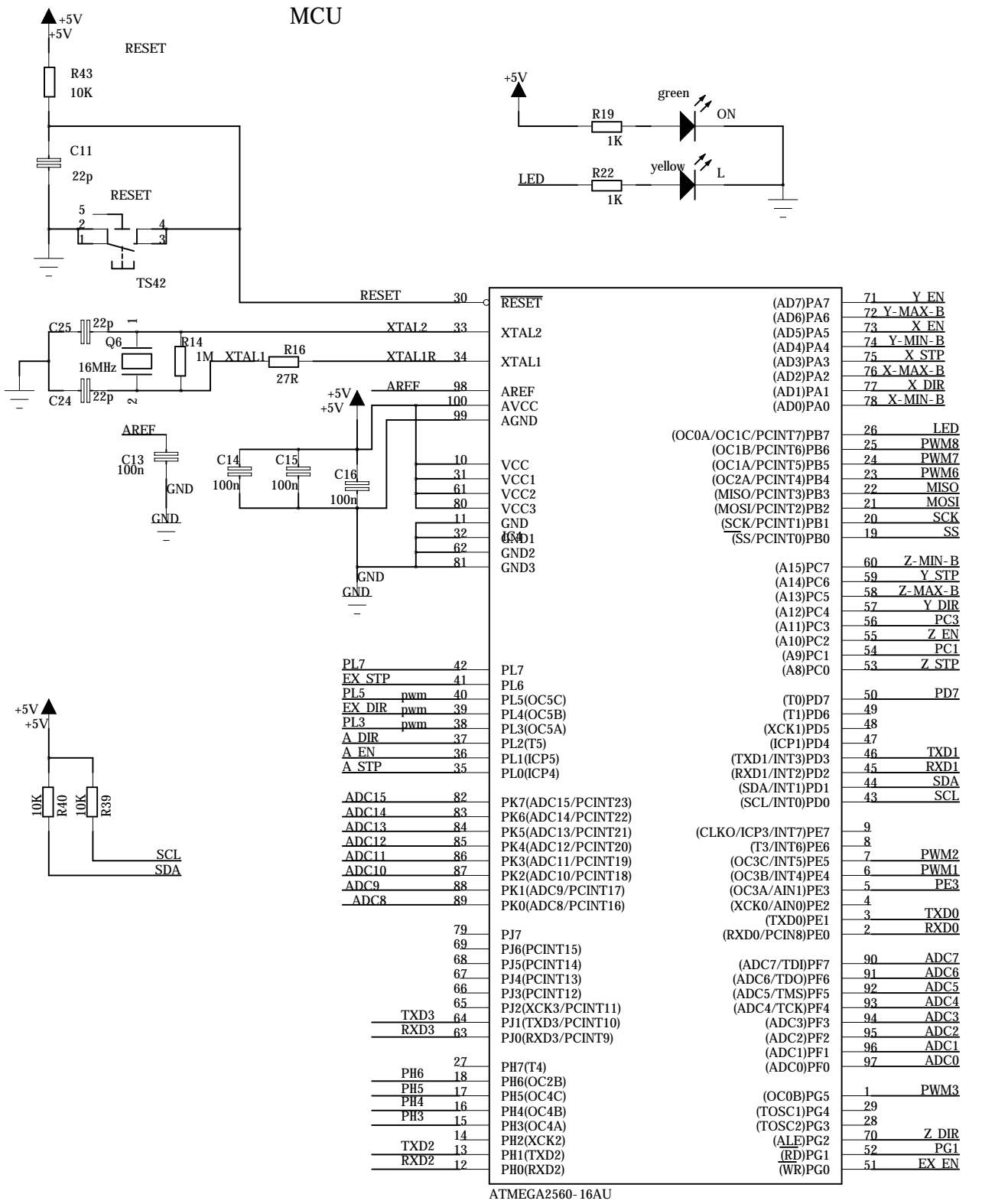


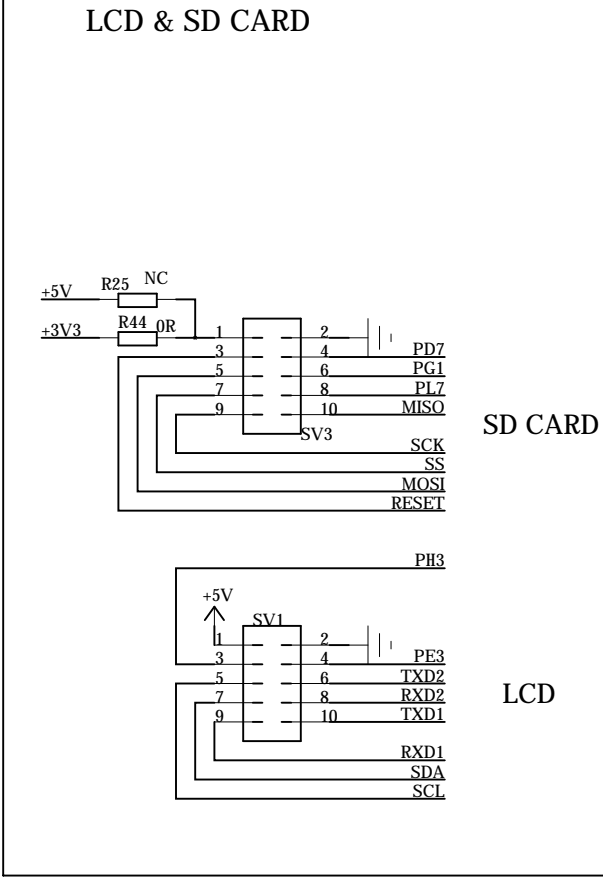
POWER



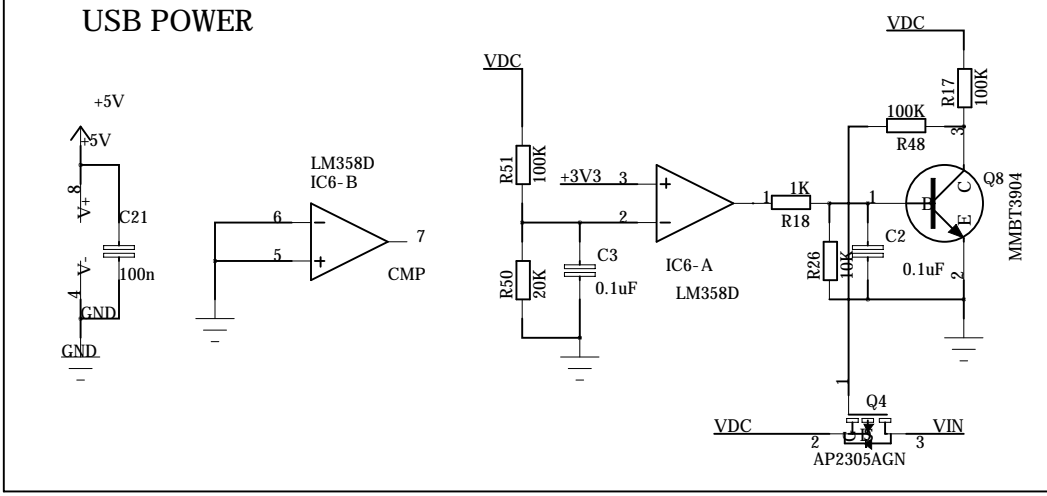
MCU



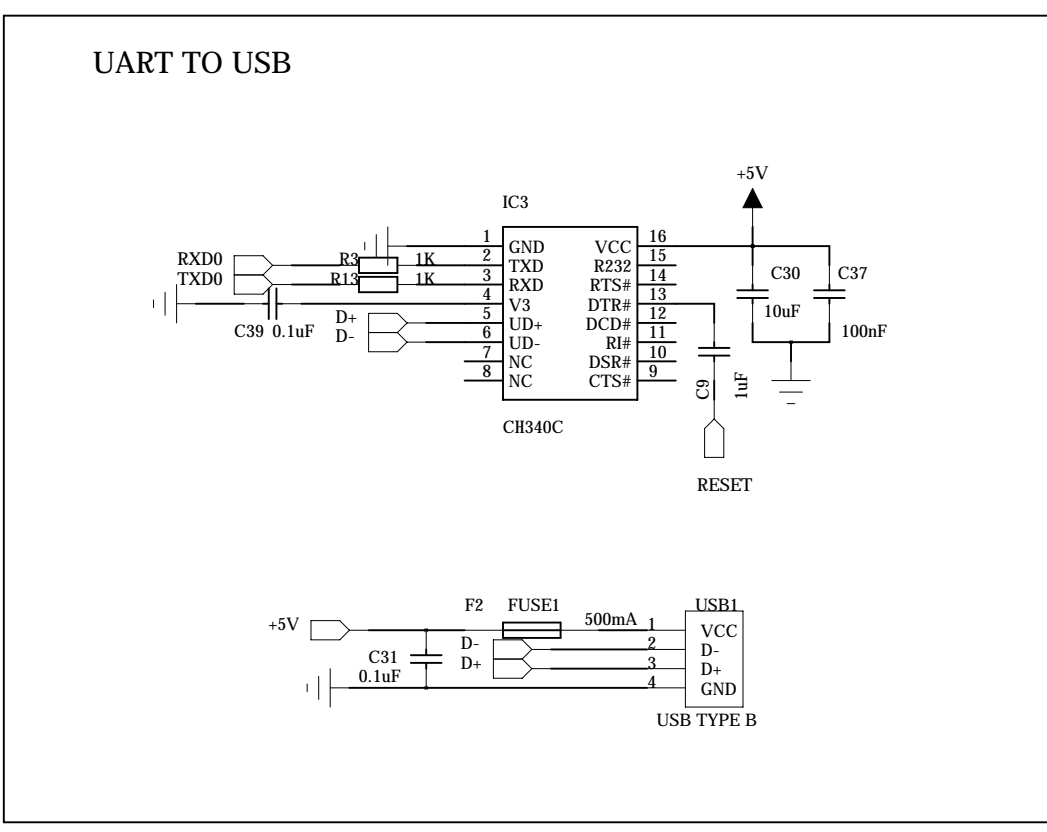
LCD & SD CARD



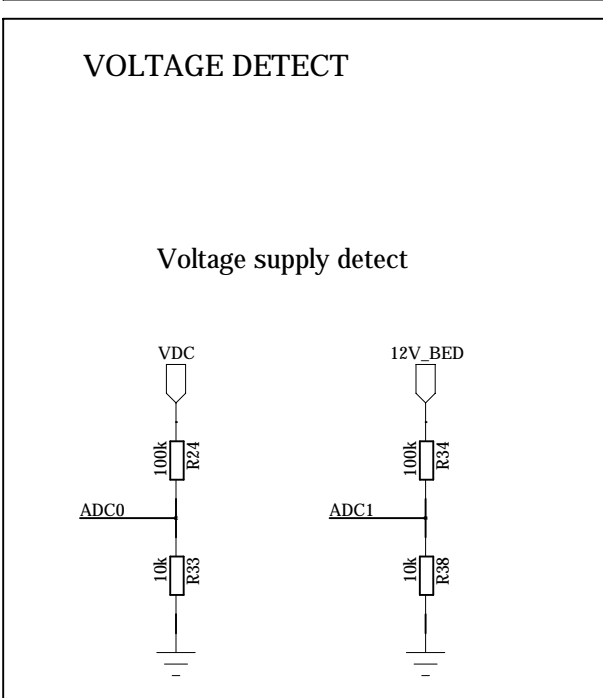
USB POWER



UART TO USB



VOLTAGE DETECT



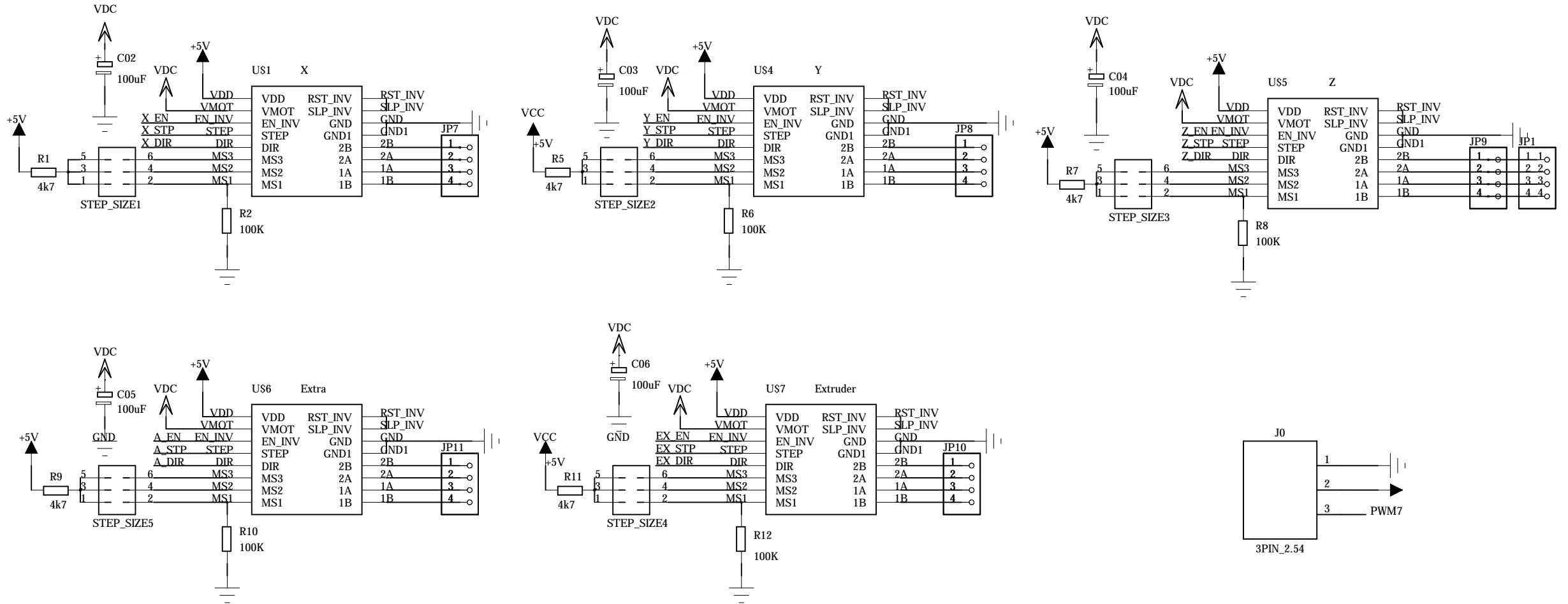
GT2560 Rev A+

COMPANY: www.Geeetech.com
 Drawn by John, Jan 2015
 Base on Arduino mega2560 and Ultimaker
 Open Hardware

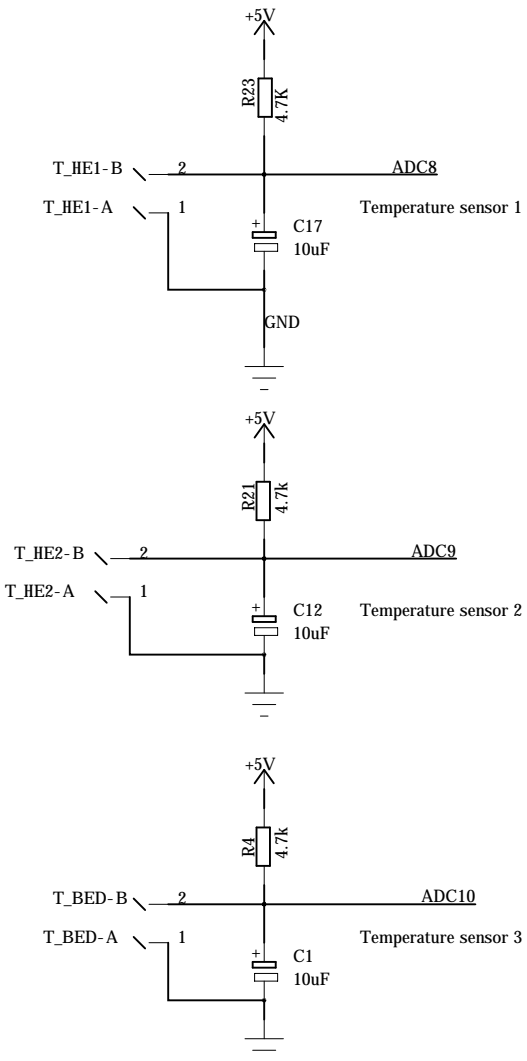
HOLE

- H1 MOUNT-HOLE3.0
- H2 MOUNT-HOLE3.0
- H3 MOUNT-HOLE3.0
- H4 MOUNT-HOLE3.0
- H5 MOUNT-HOLE3.0

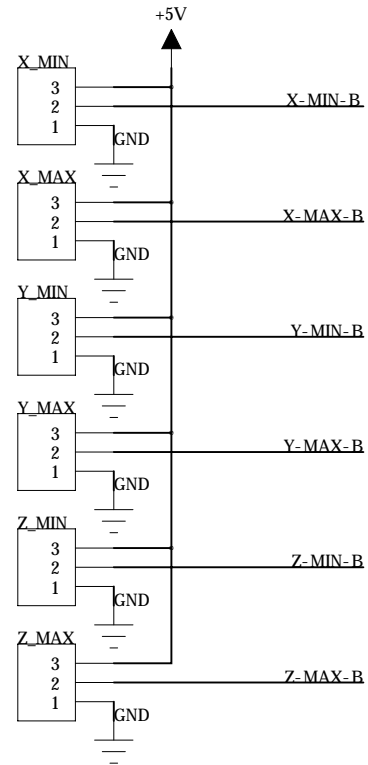
STEPPER DRIVER



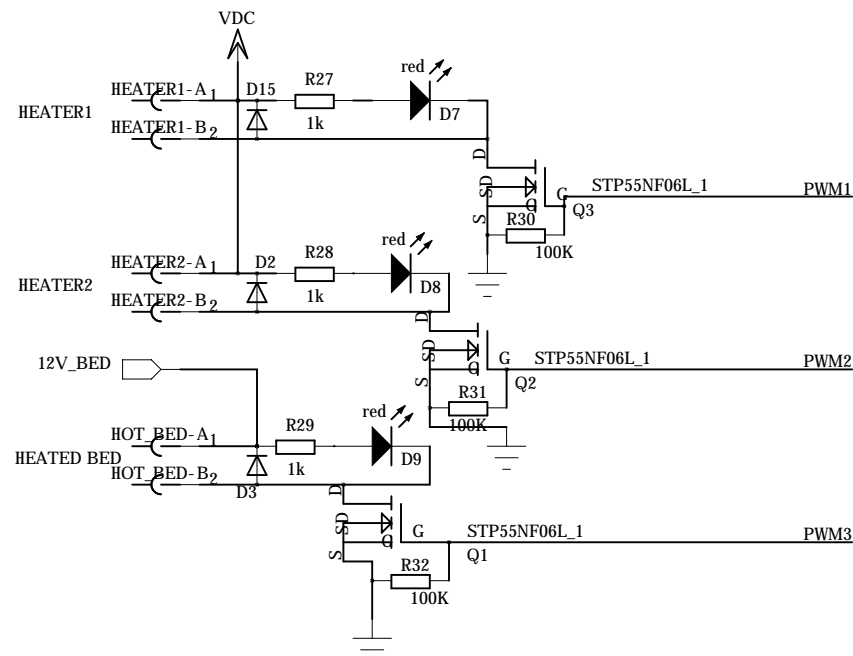
TEMPERATURE SENSOR



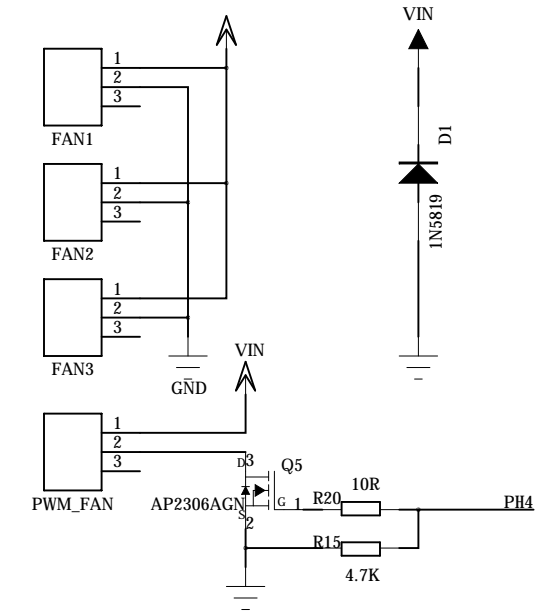
LIMIT SWITCHES



HOTBED & HOTEND CONTROL



FAN CONNECTORS



GT2560

Rev A+

COMPANY: www.Geeetech.com

Drawn by John, Jan 2015

Base on Arduino mega2560 and Ultimaker

Open Hardware