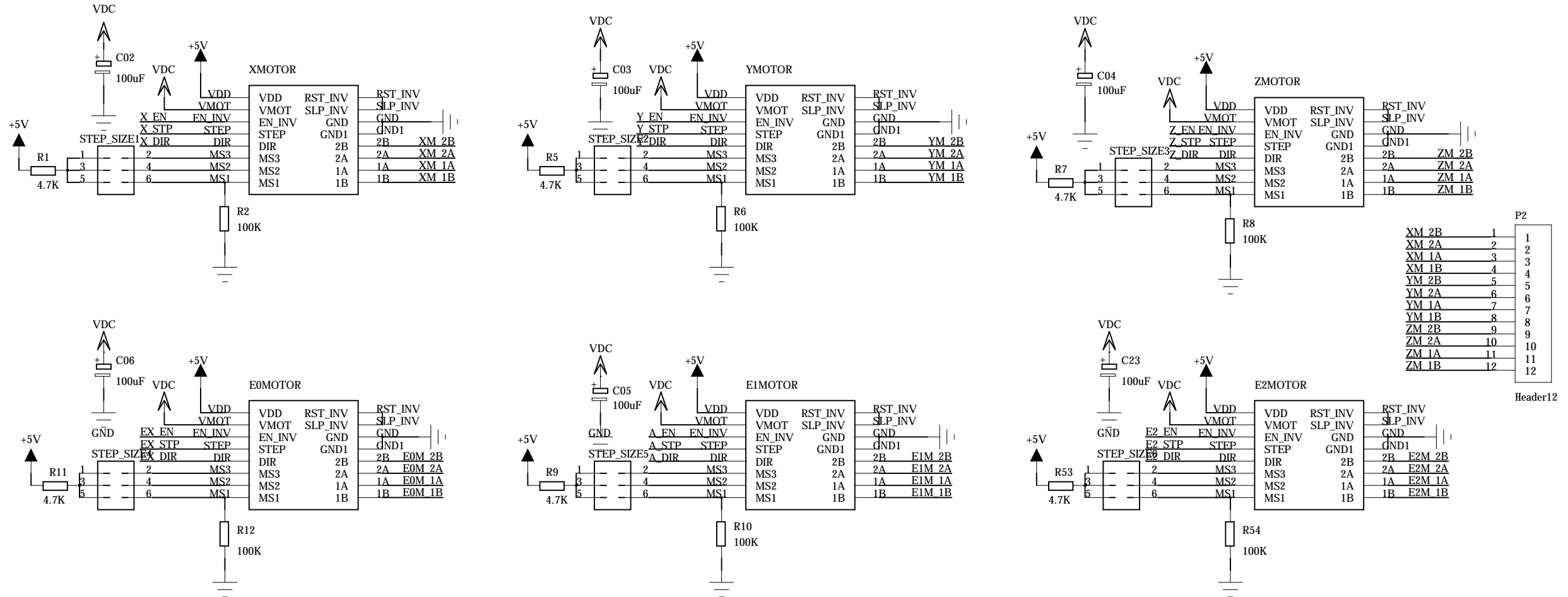


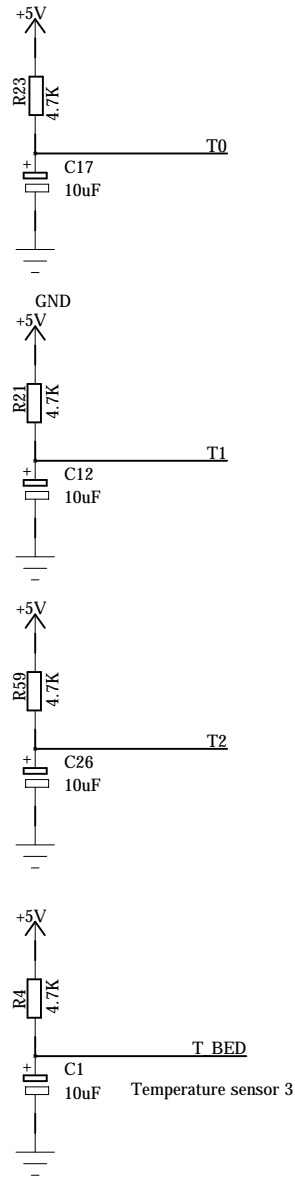
HOLE

- H1 MOUNT-HOLE3.0
- H2 MOUNT-HOLE3.0
- H3 MOUNT-HOLE3.0
- H4 MOUNT-HOLE3.0
- H5 MOUNT-HOLE3.0

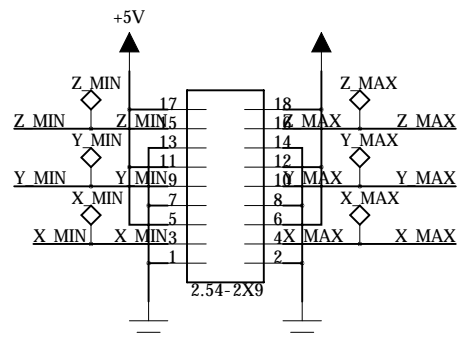
STEPPER DRIVER



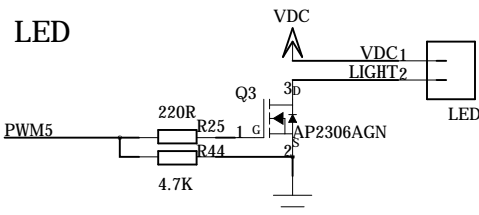
TEMPERATURE SENSOR



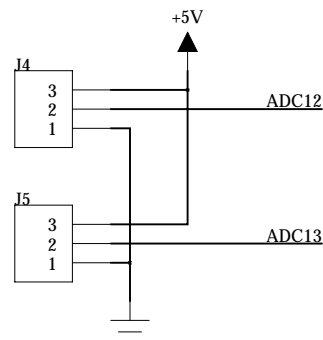
LIMIT SWITCHES



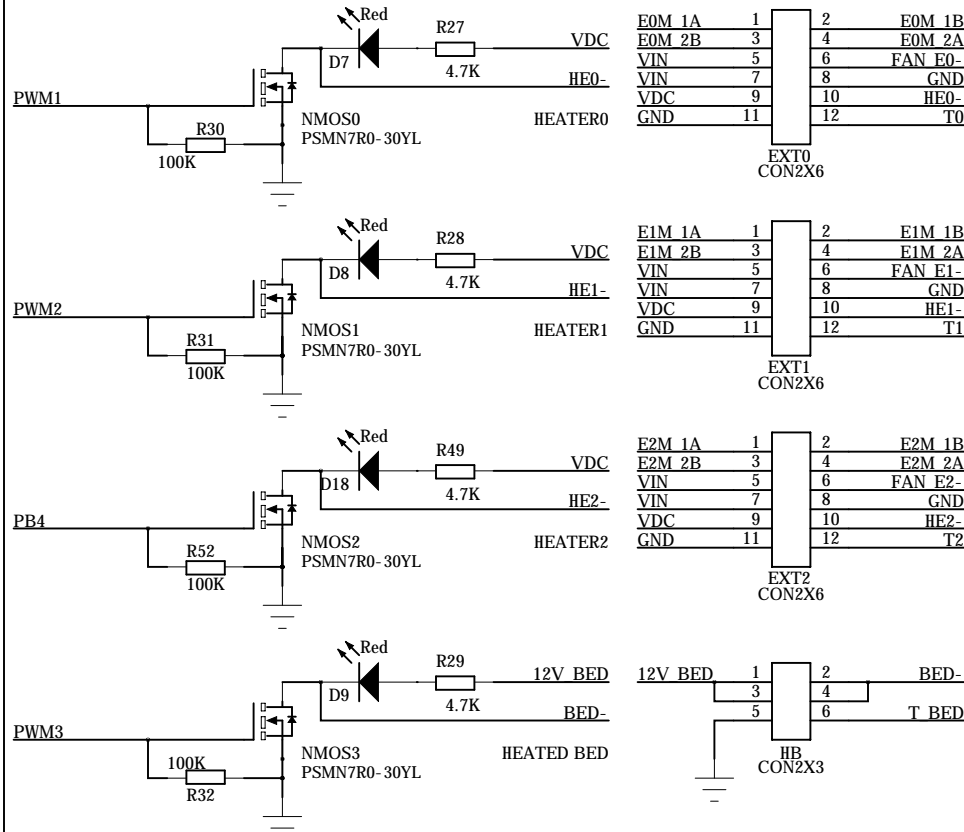
LED



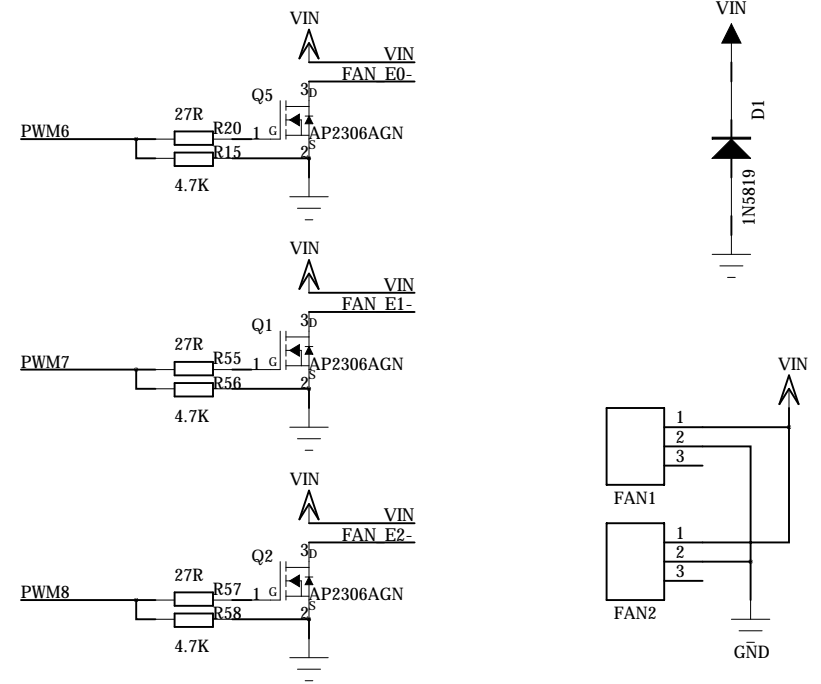
ADC



HOTBED & HOTEND CONTROL/CONNECTORS



FAN CONNECTORS



GT2560

Rev B

COMPANY: www.Geeetech.com

Drawn by John, Jan 2015

Base on Arduino mega2560 and Ultimaker

Open Hardware