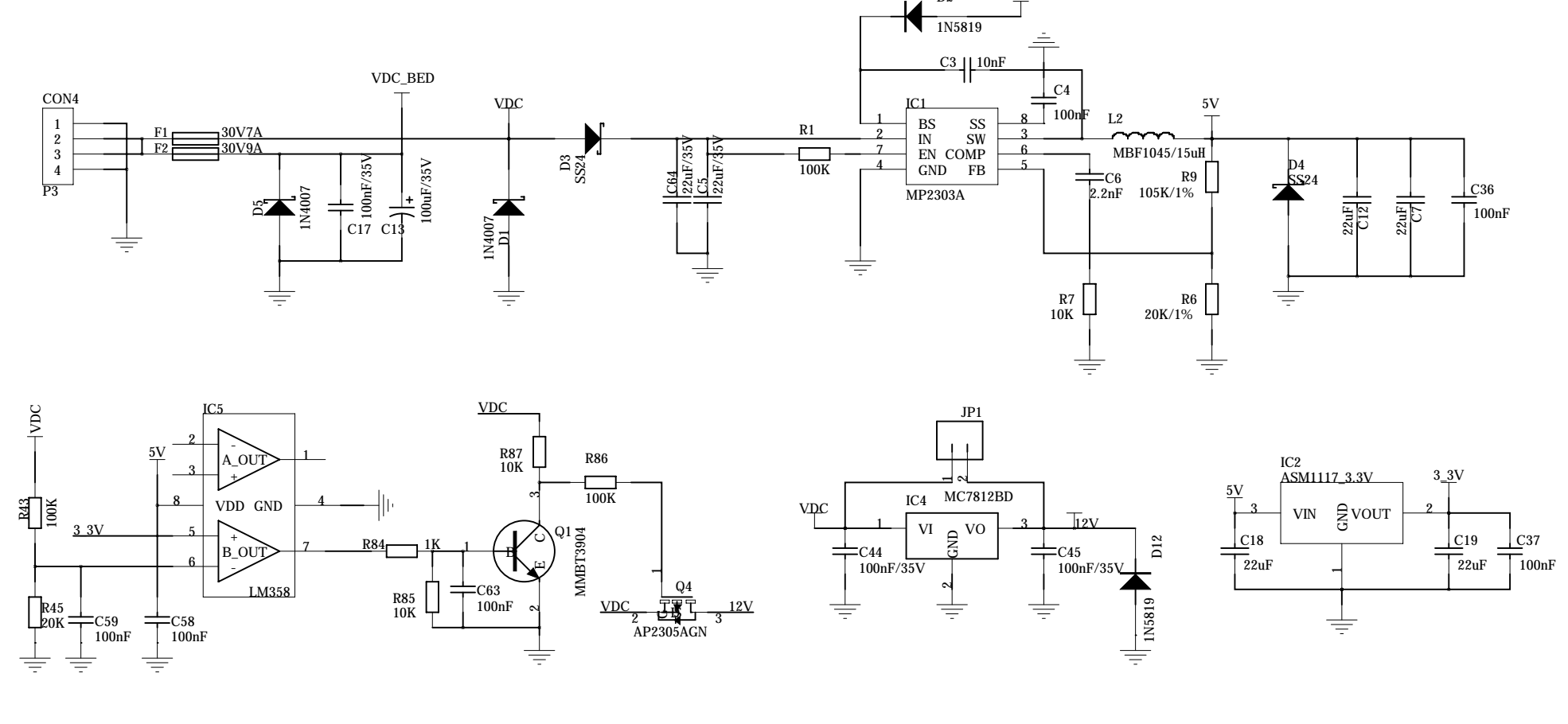
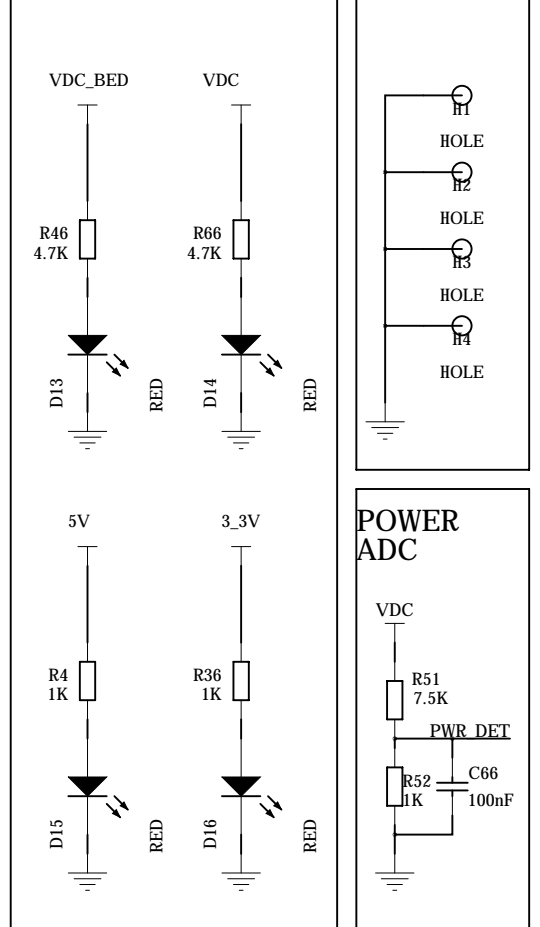


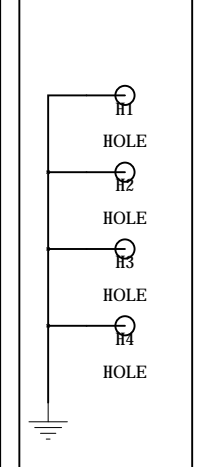
POWER



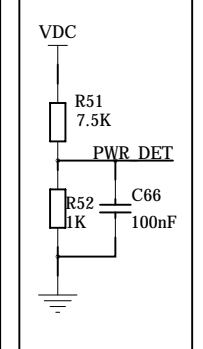
POWER LED



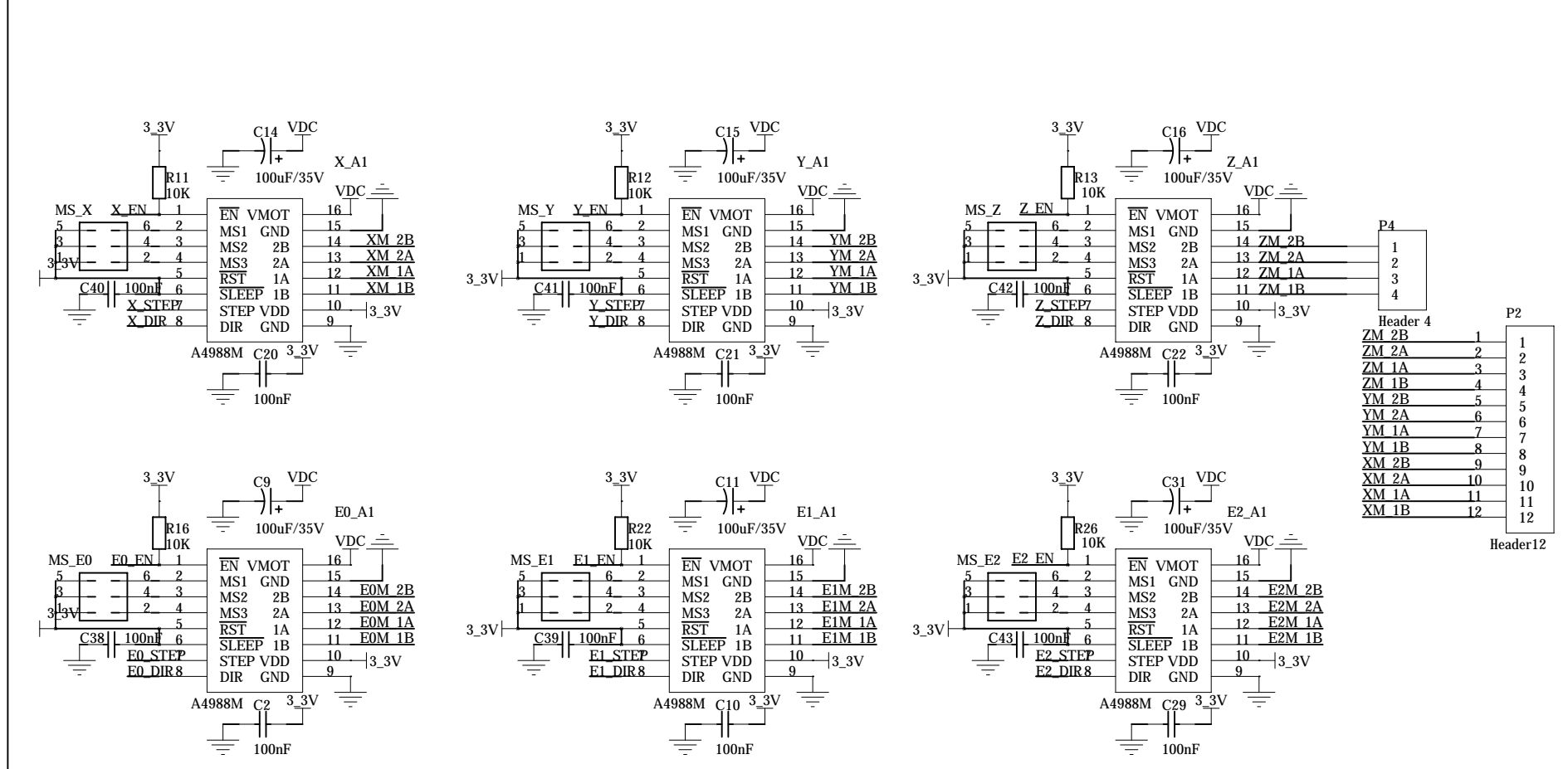
HOLE



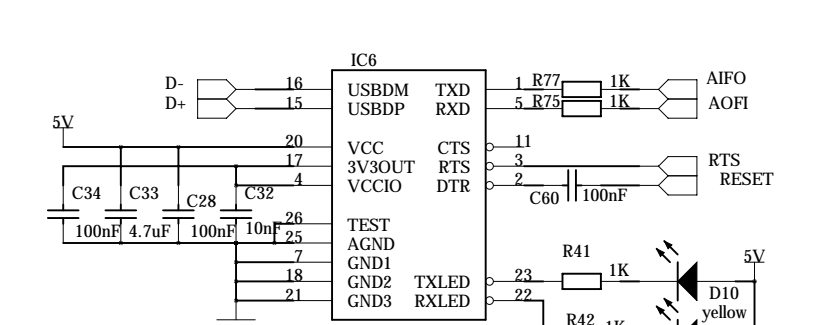
POWER ADC



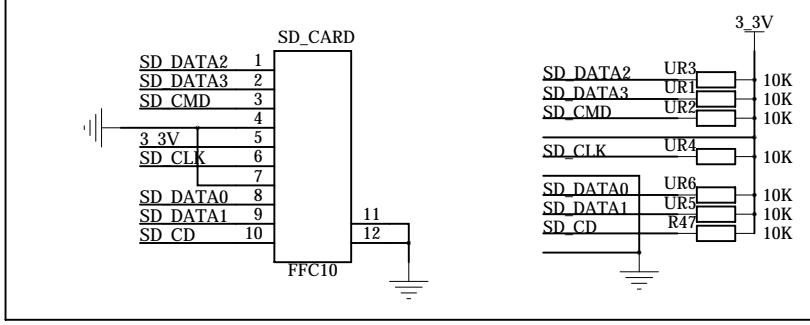
STEPPER DRIVER



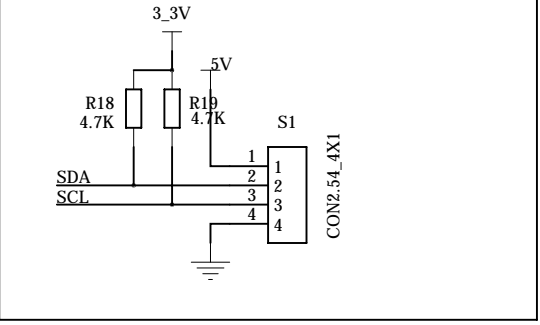
USB TO SERIAL



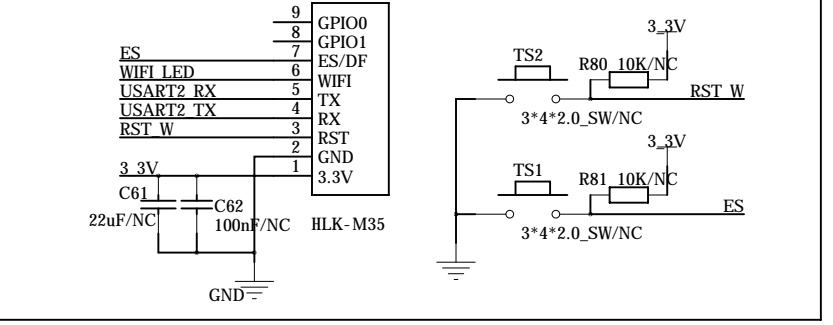
SD CARD



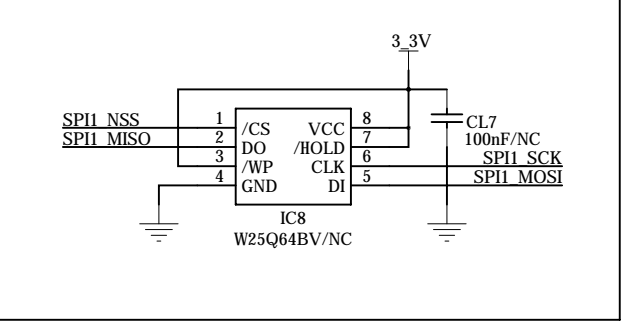
DEBUG



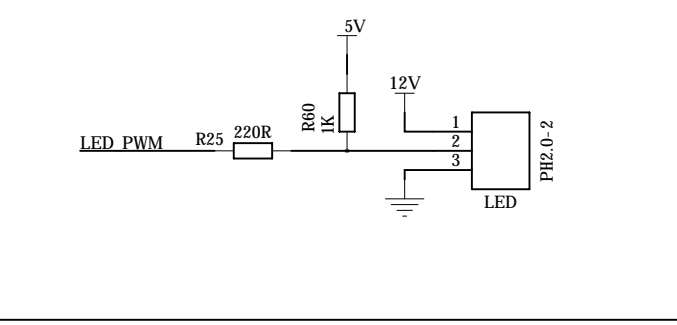
WIFI



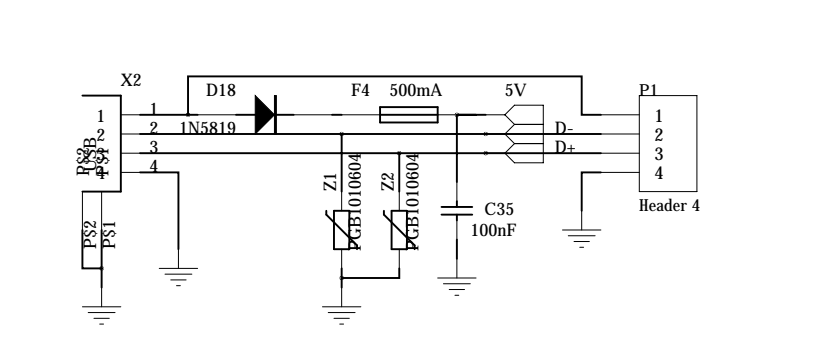
SPI FLASH



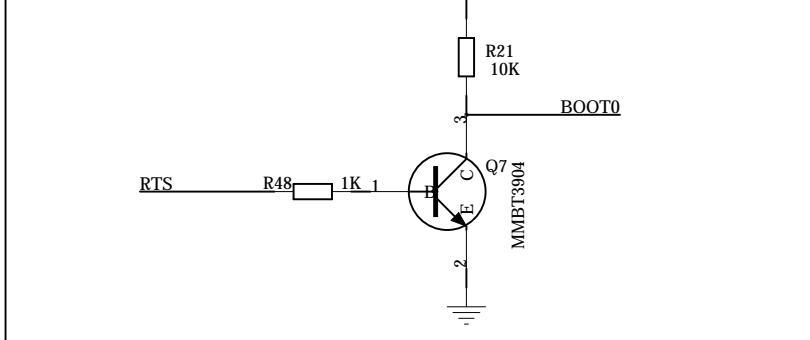
LED



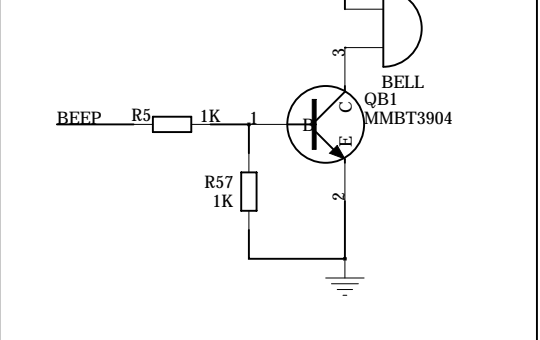
BOOT



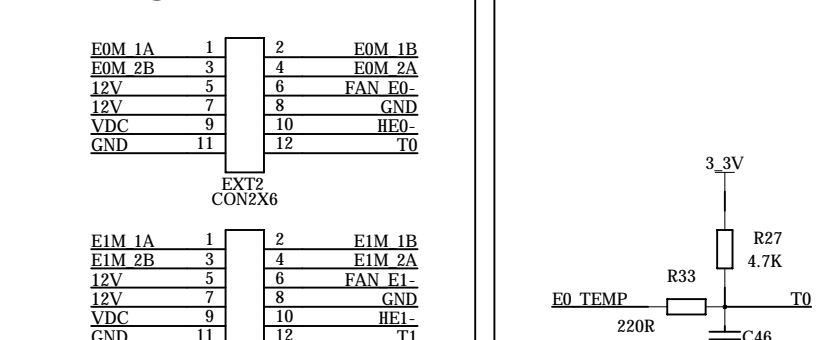
BEEP



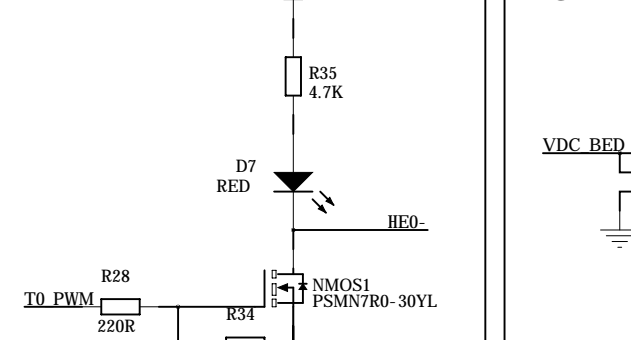
EXTRUDER



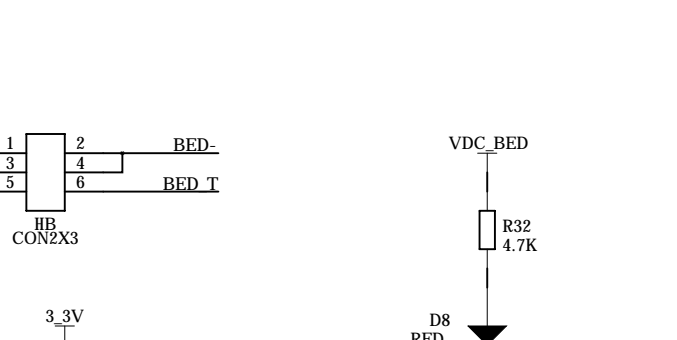
HOTEND



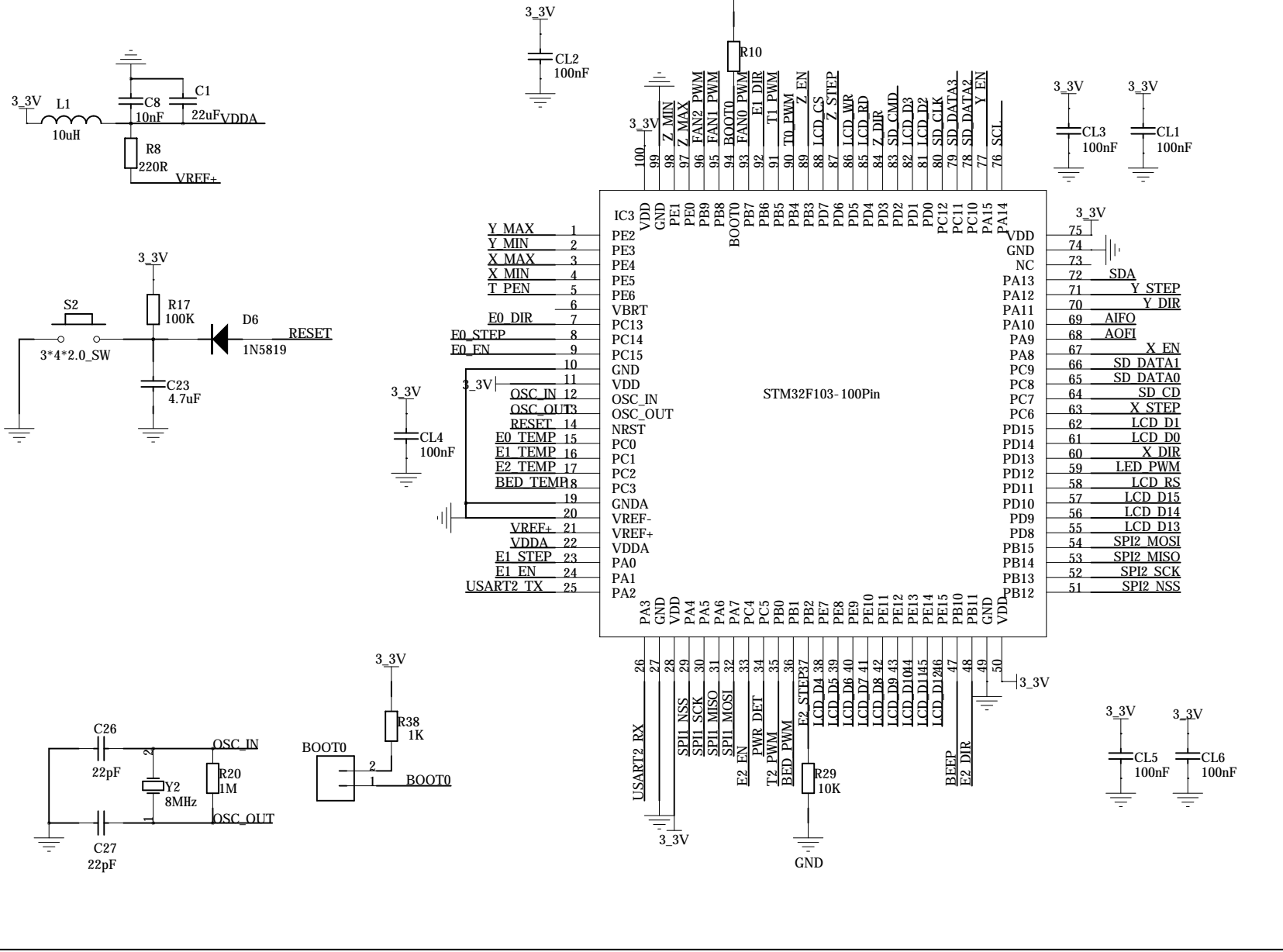
HOTBED



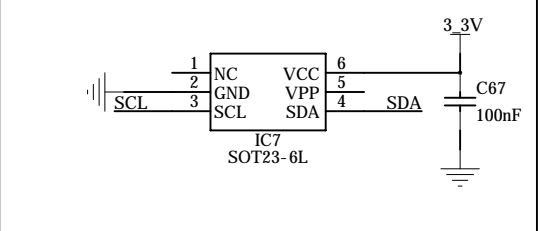
FAN



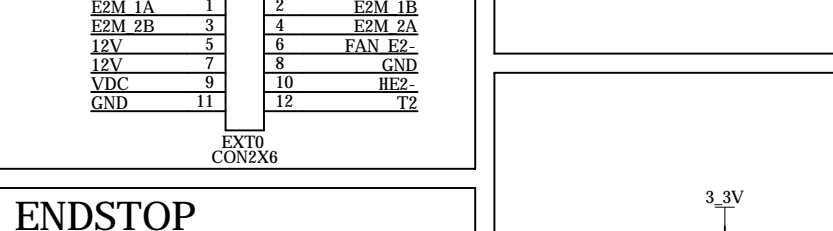
STM32



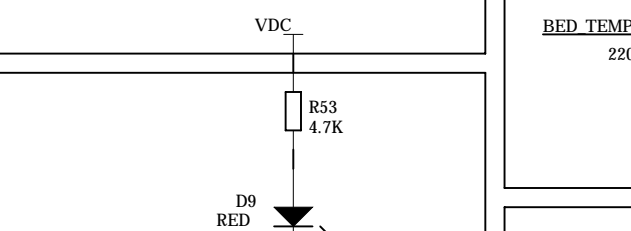
CRYPTO



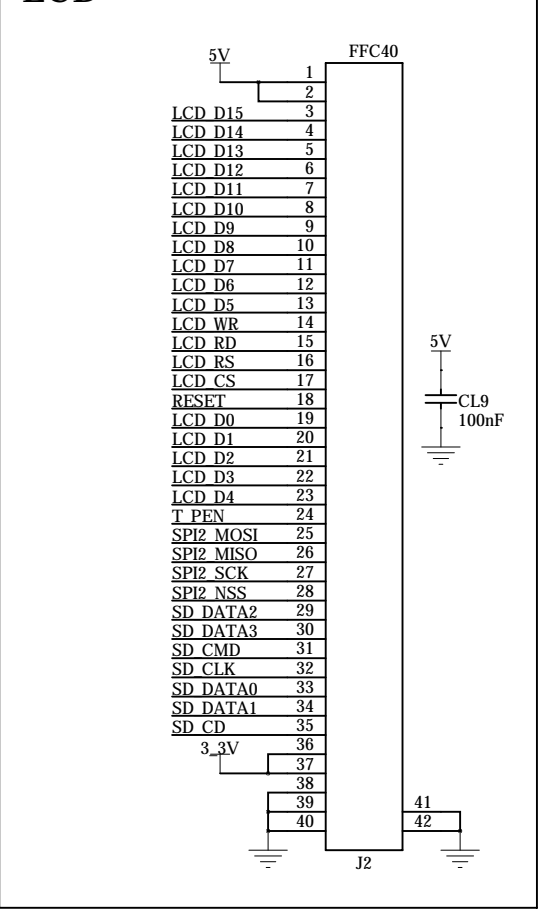
ENDSTOP



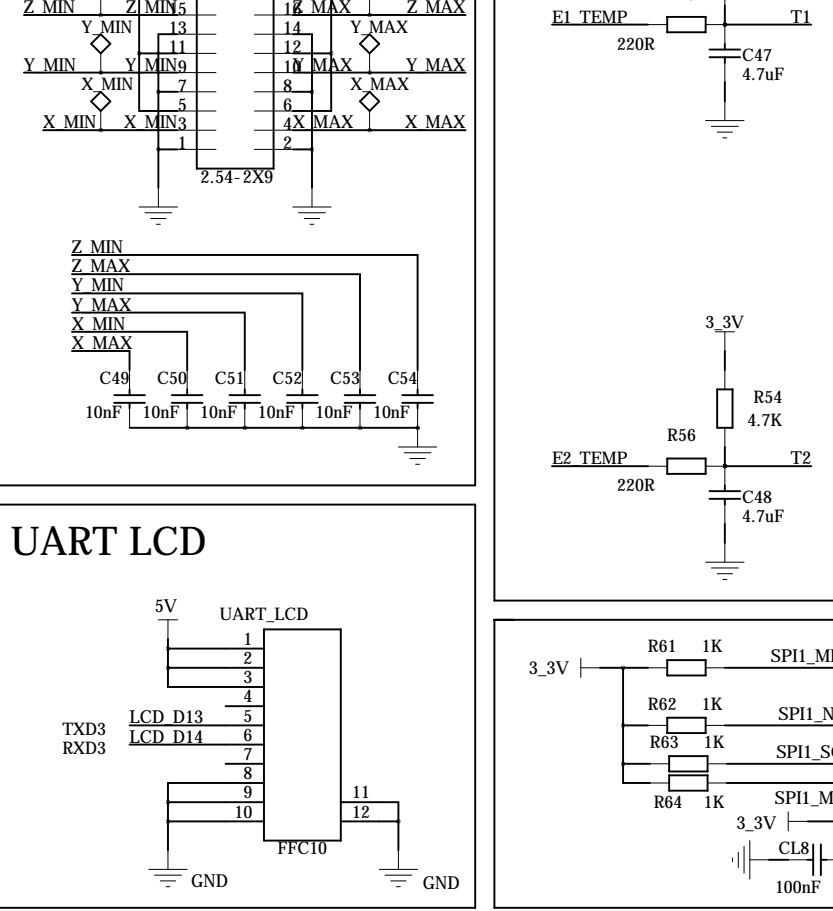
UART LCD



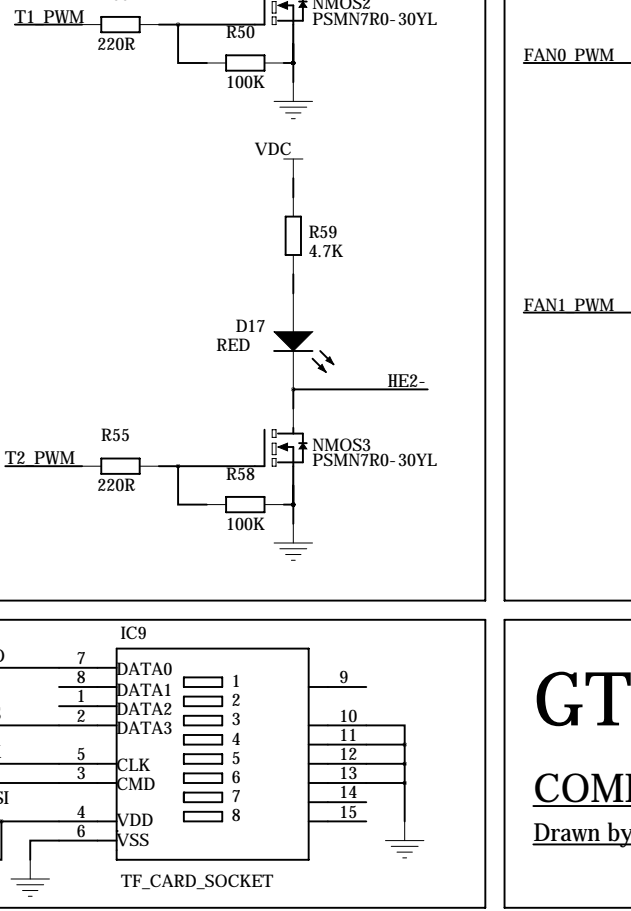
LCD



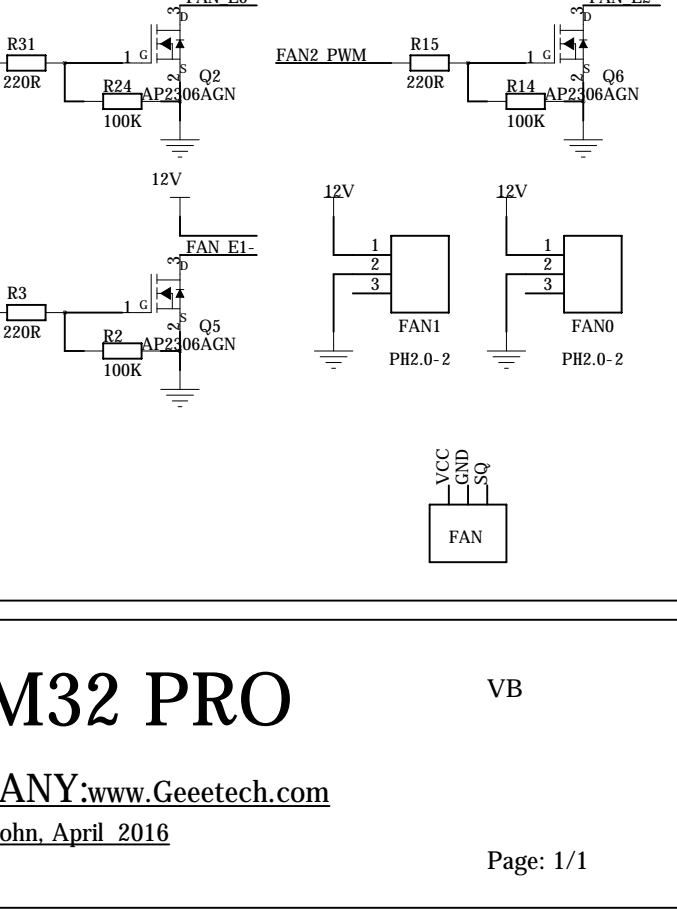
UART LCD



UART LCD



FAN



GTM32 PRO