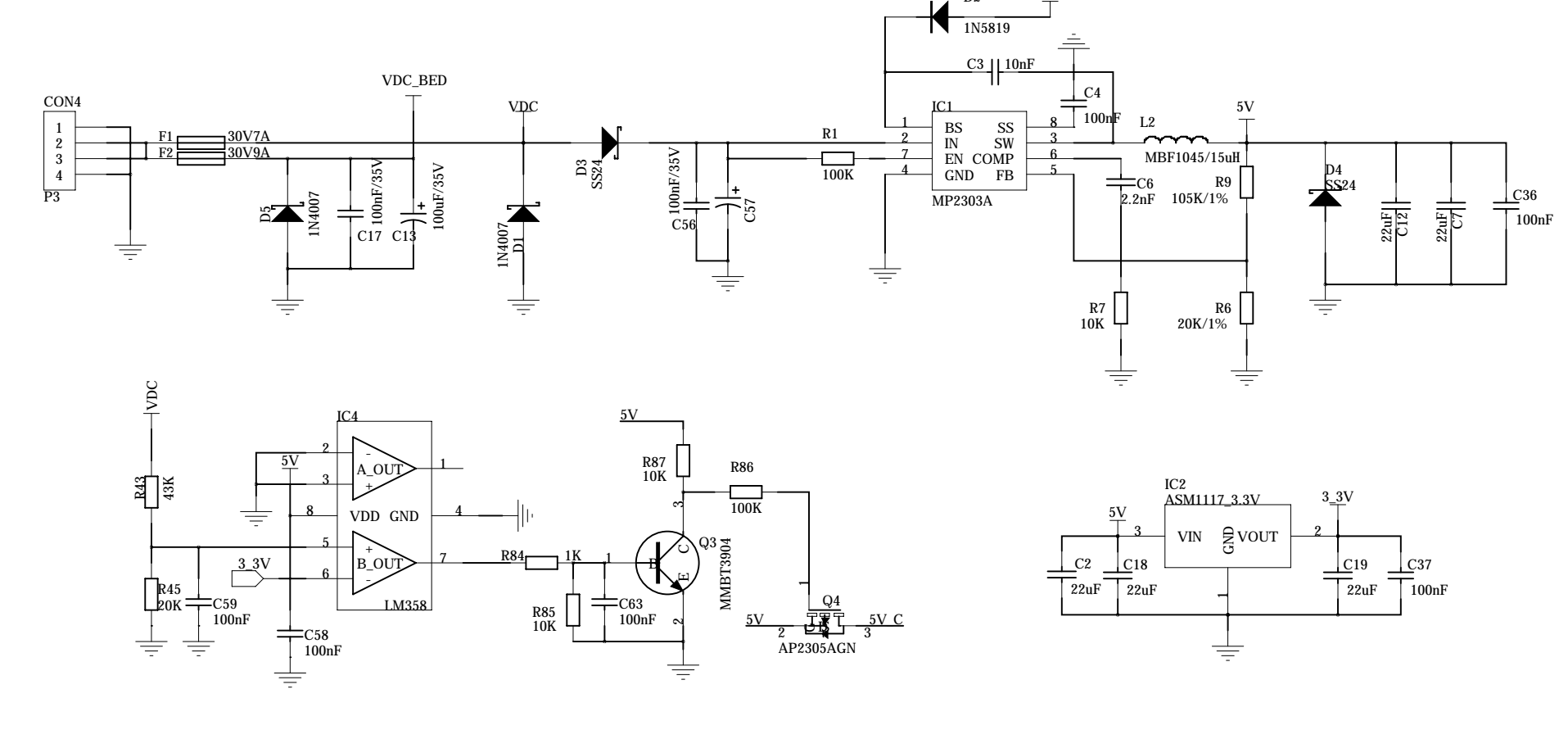
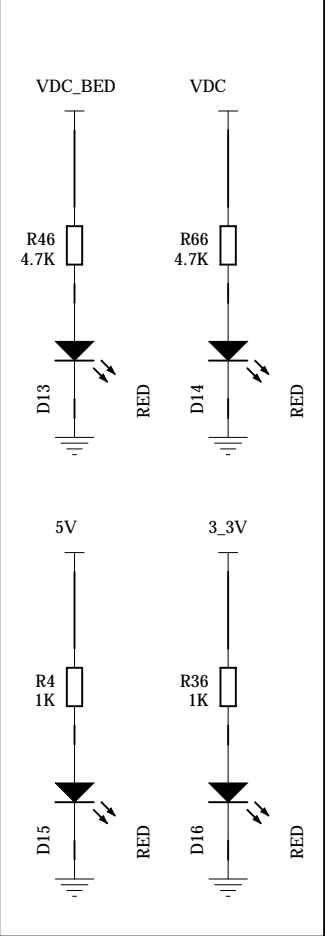


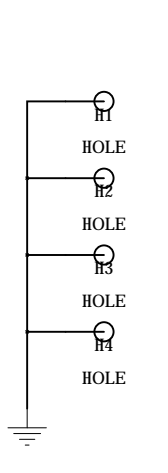
POWER



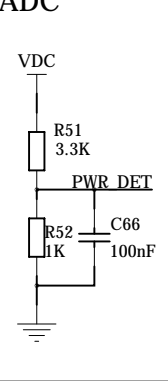
POWER LED



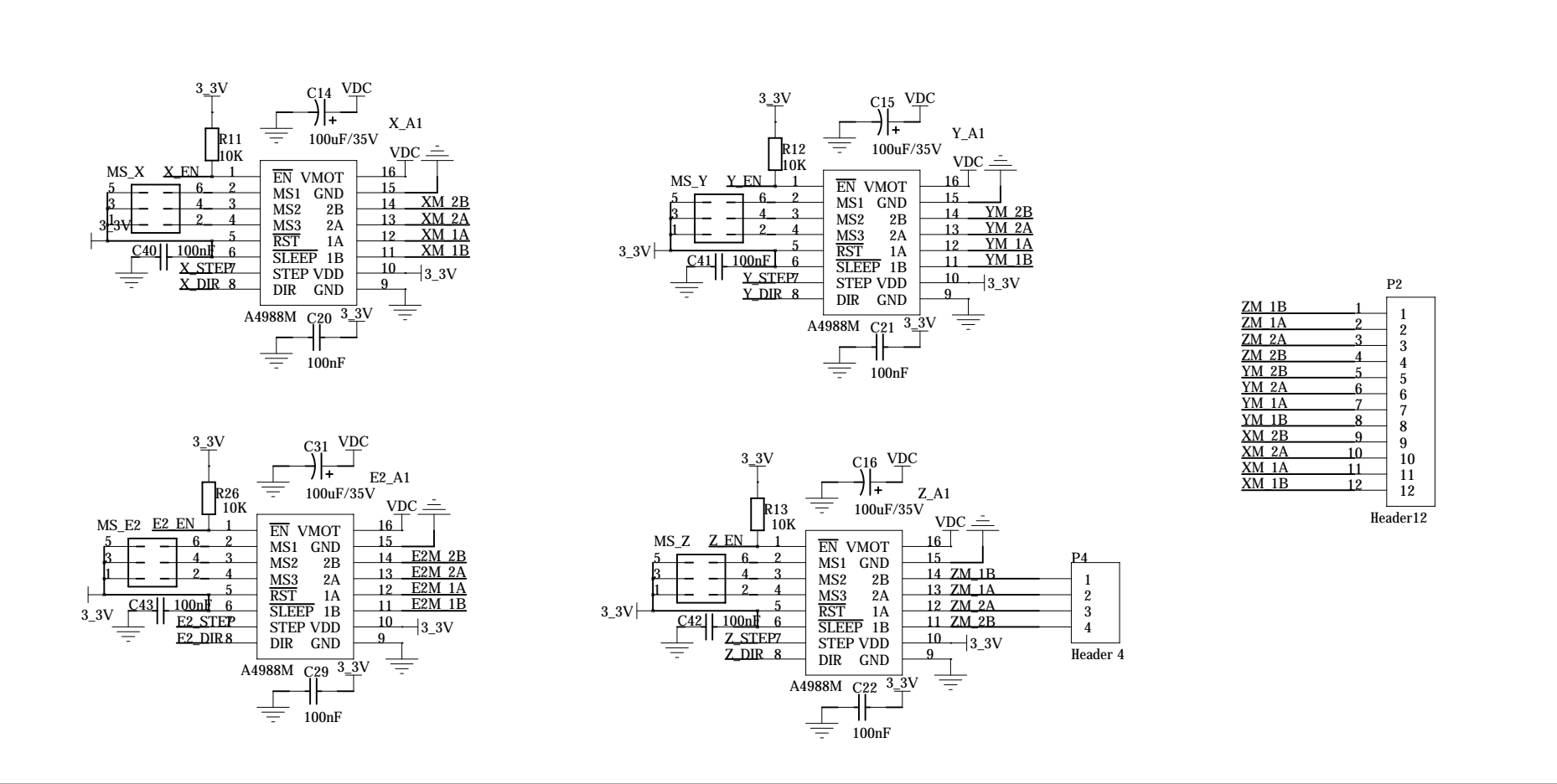
HOLE



POWER ADC

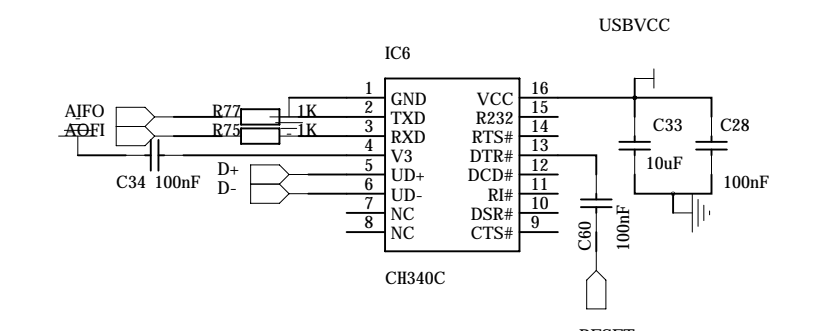


STEPPER DRIVER

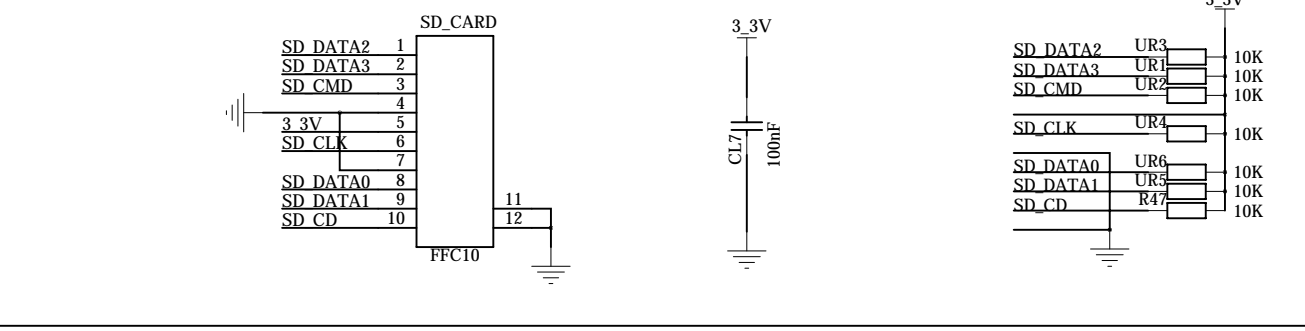


Header12	1	2	3	4	5	6	7	8	9	10	11	12
ZM 1B	1	2	3	4	5	6	7	8	9	10	11	12
ZM 1A	1	2	3	4	5	6	7	8	9	10	11	12
ZM 2B	1	2	3	4	5	6	7	8	9	10	11	12
ZM 2A	1	2	3	4	5	6	7	8	9	10	11	12
YM 2B	1	2	3	4	5	6	7	8	9	10	11	12
YM 2A	1	2	3	4	5	6	7	8	9	10	11	12
YM 1A	1	2	3	4	5	6	7	8	9	10	11	12
YM 1B	1	2	3	4	5	6	7	8	9	10	11	12
XM 2B	1	2	3	4	5	6	7	8	9	10	11	12
XM 2A	1	2	3	4	5	6	7	8	9	10	11	12
XM 1A	1	2	3	4	5	6	7	8	9	10	11	12
XM 1B	1	2	3	4	5	6	7	8	9	10	11	12

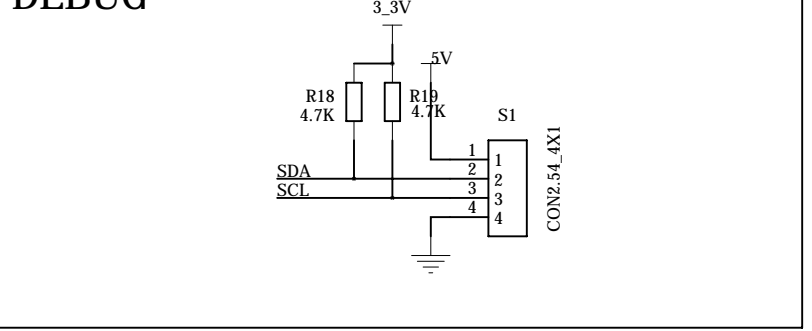
USB TO SERIAL



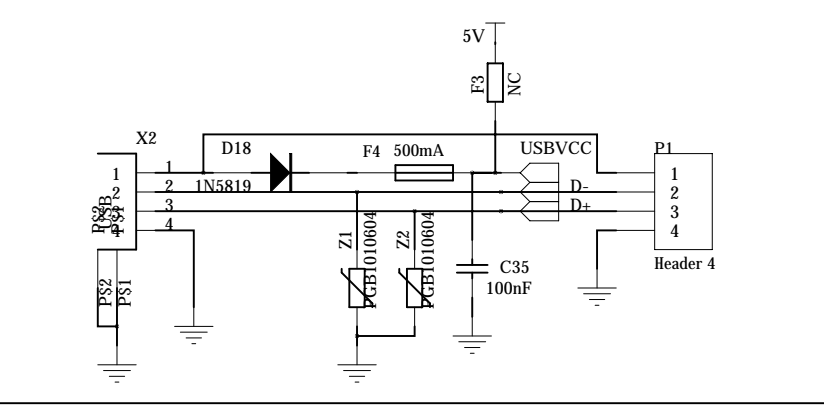
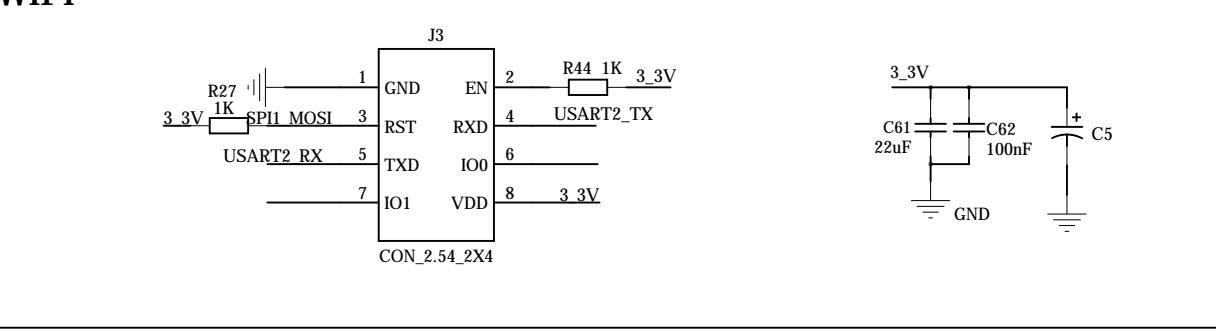
SD CARD



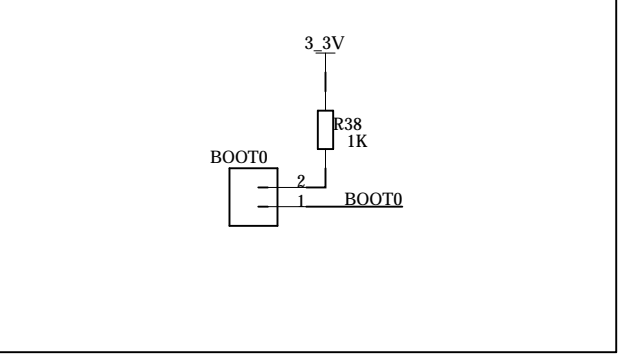
DEBUG



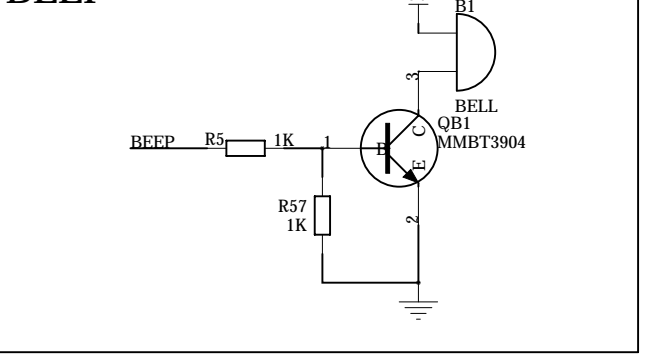
WIFI



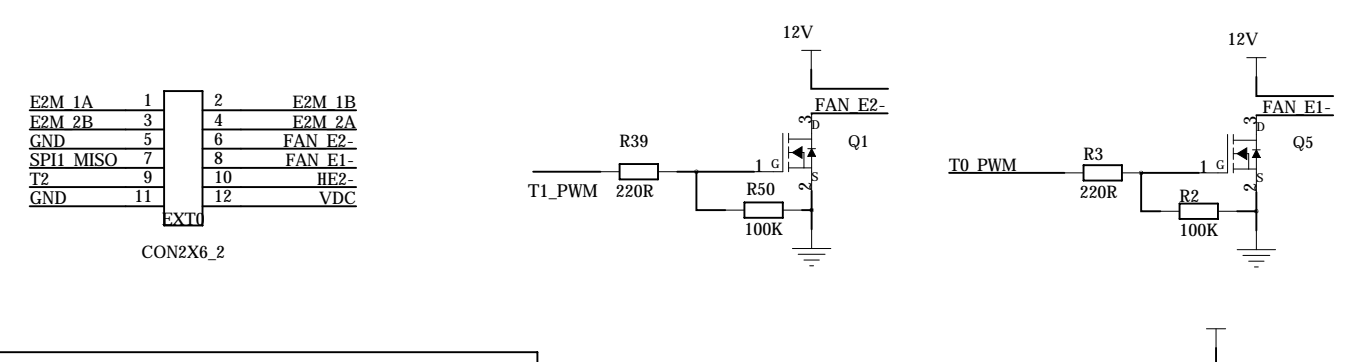
BOOT



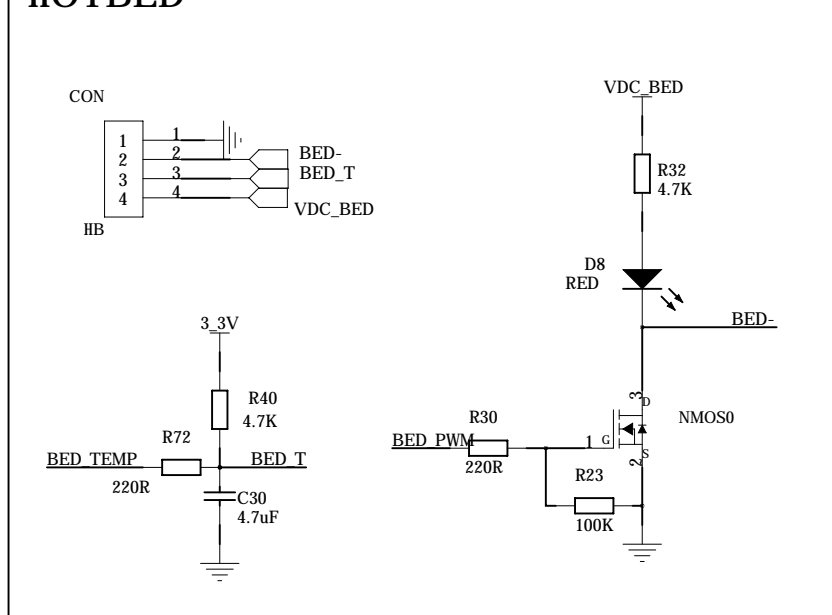
BEEP



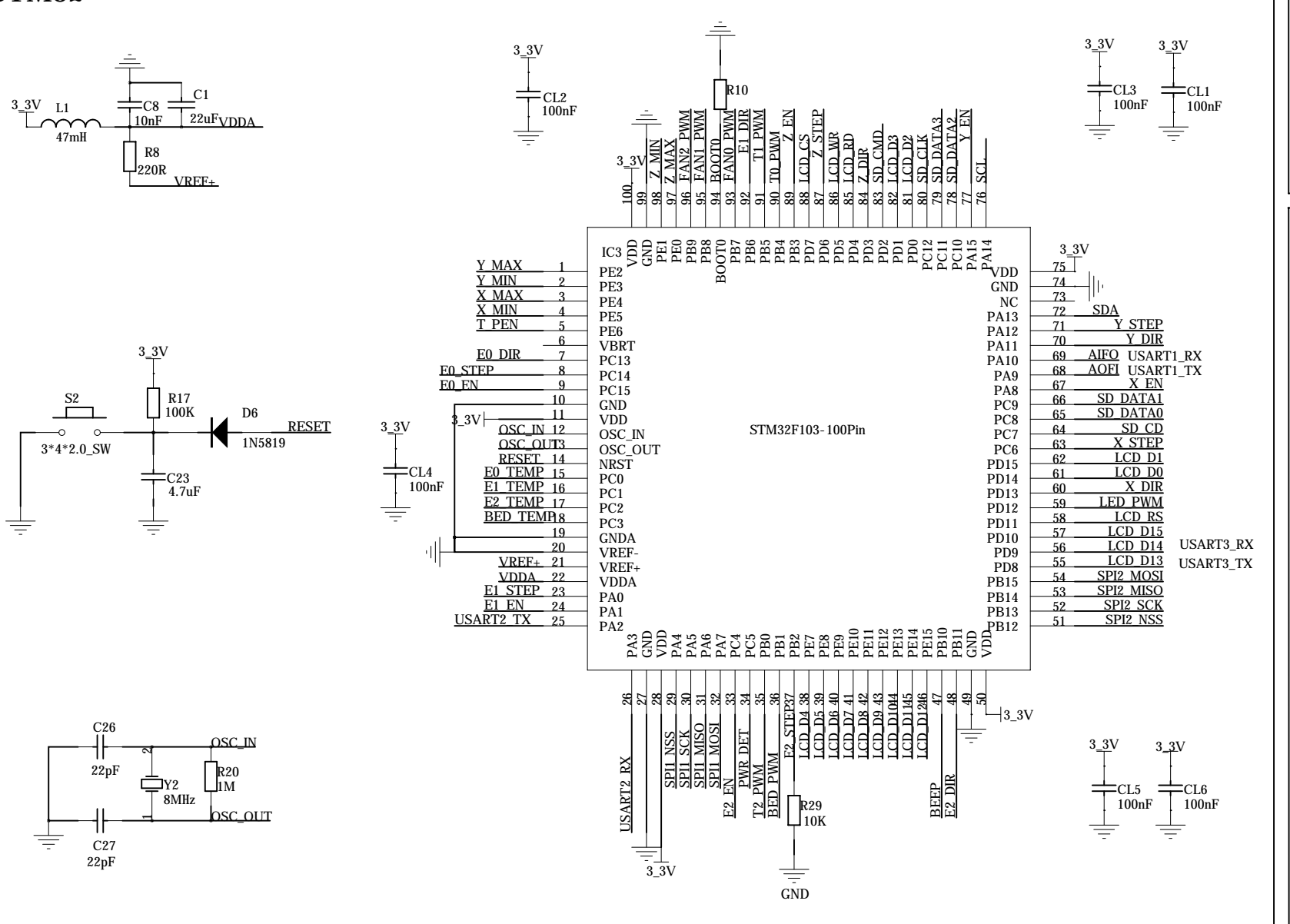
EXTRUDER/HOTEND



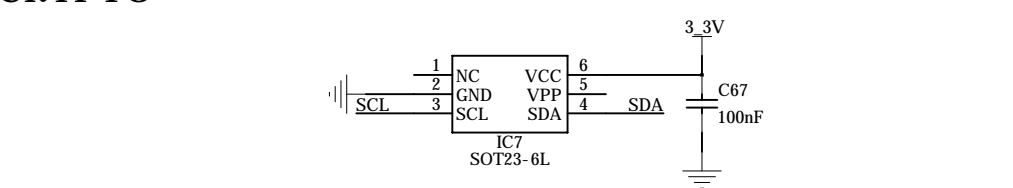
HOTBED



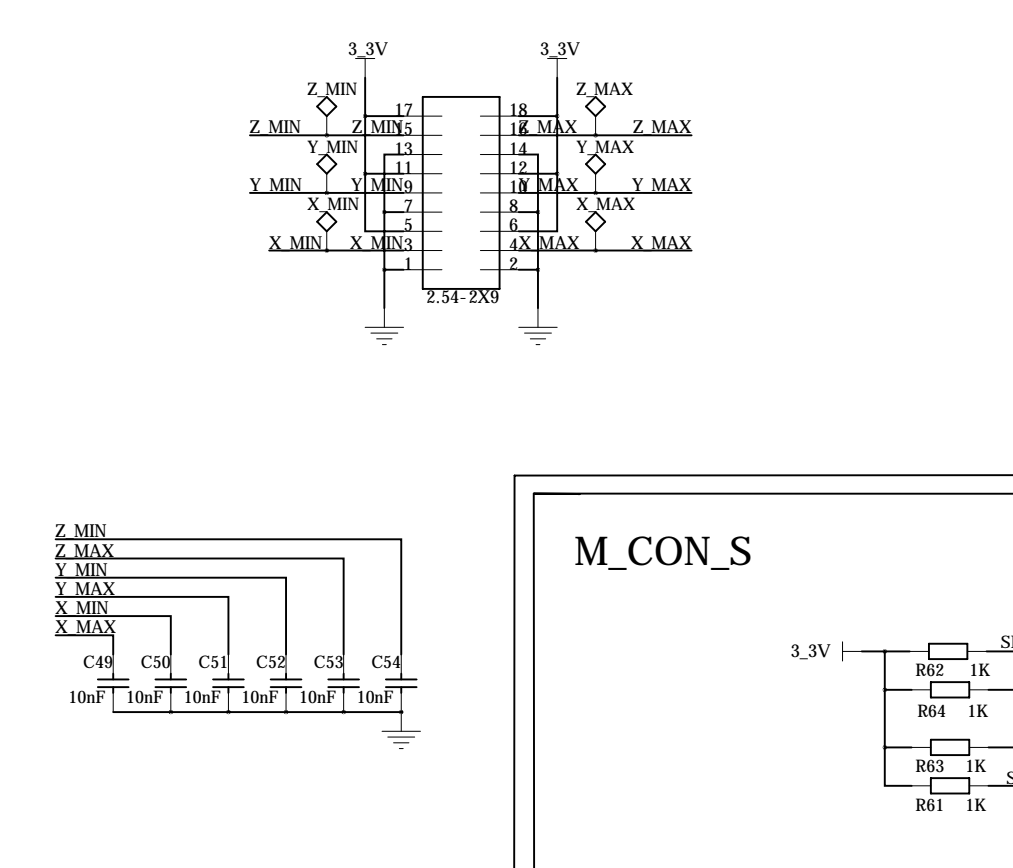
STM32



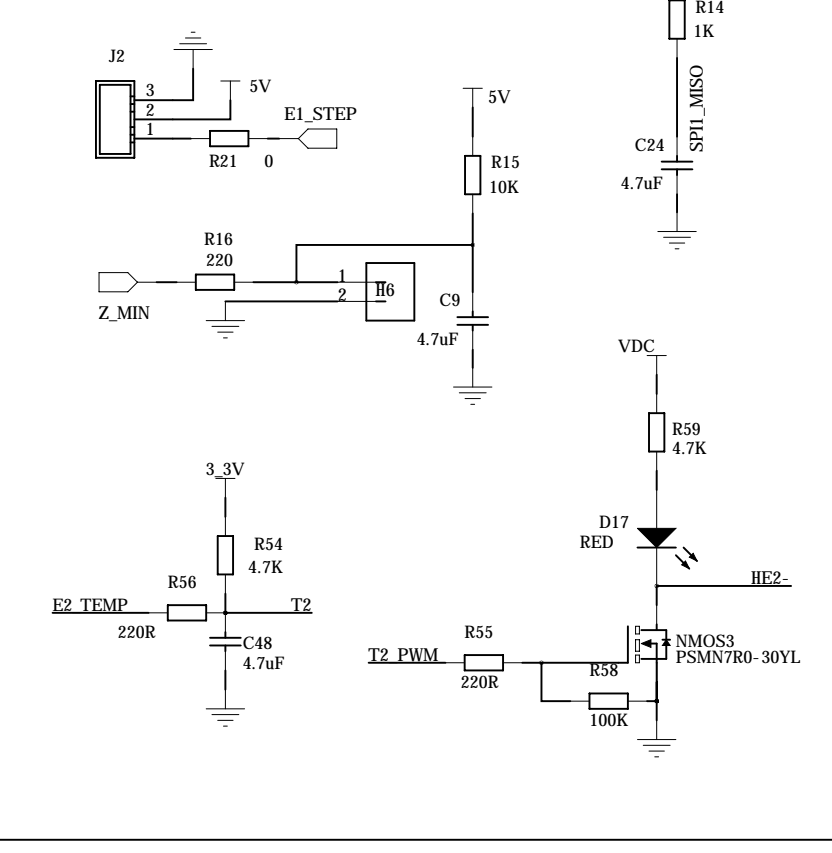
CRYPTO



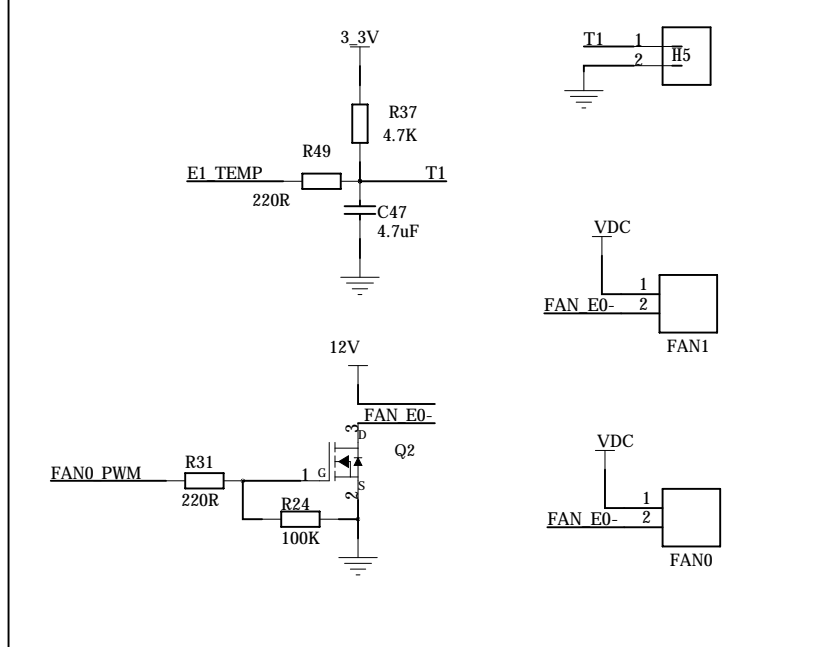
ENDSTOP



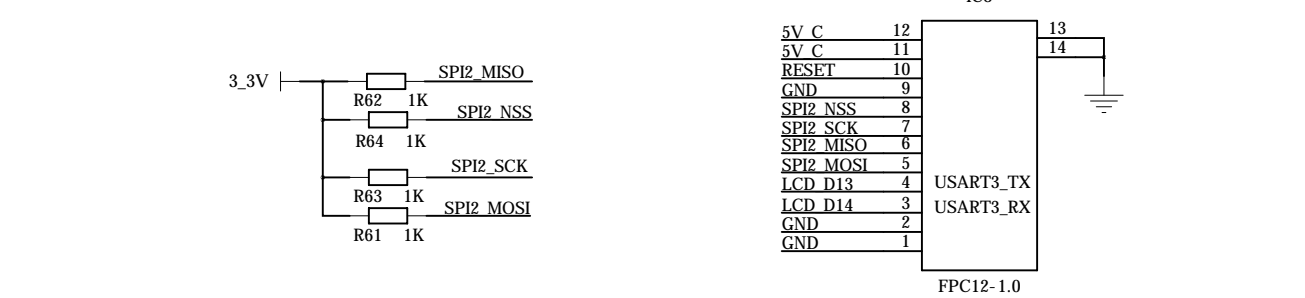
3DTOUCH



FAN/TEMP DECT



M_CON_S



GTM32 PRO